

Release date : 2011.07.14

Compatible Car Model : VW car models with RCD 550 (2012 Touareg)



Specification & Installation

Volkswagen car models with RCD 550 (2012 Touareg)

Your best partner for better driving

Contents

1. Before installation

1.1 Main specification	3
1.2 Features	4
1.3 System diagram	5
1.4 Components	6
1.5 Exterior	7

2. SETUP

2.1 DIP switch	8
2.2 Remote controller	9
2.3 Setup for Navigation	10
2.4 Parking guide line setting	11
2.5.1 OSD (on screen display)	12
2.5.2 OSD (on screen display)	13

3. Installation

3.1 Cautions on installation	14
3.2 Installation diagram	15
3.3 Installation	16

4. Troubleshooting	18
--------------------	----

1.1 Main Specification

1. Input Spec. (MULTI VIDEO INTERFACE)

- 3 x A/V Input (External video source).
- 1 x CVBS(REAR CAMERA) Input. (Rear camera source)
- 1 x Analog RGB Input (Navigation System output)
- 1 x LCD Input (Car system Input)
- 1 x Cayenne Input

2. Output Spec.

- 1 x Cayenne Output
- 4 x Audio Select (12V power comes out from 4wires of cable by video, Navi mode)

3. Power Spec.

- Input Power : 10VDC ~ 16VDC
- Consumption Power : 12WATT, Max

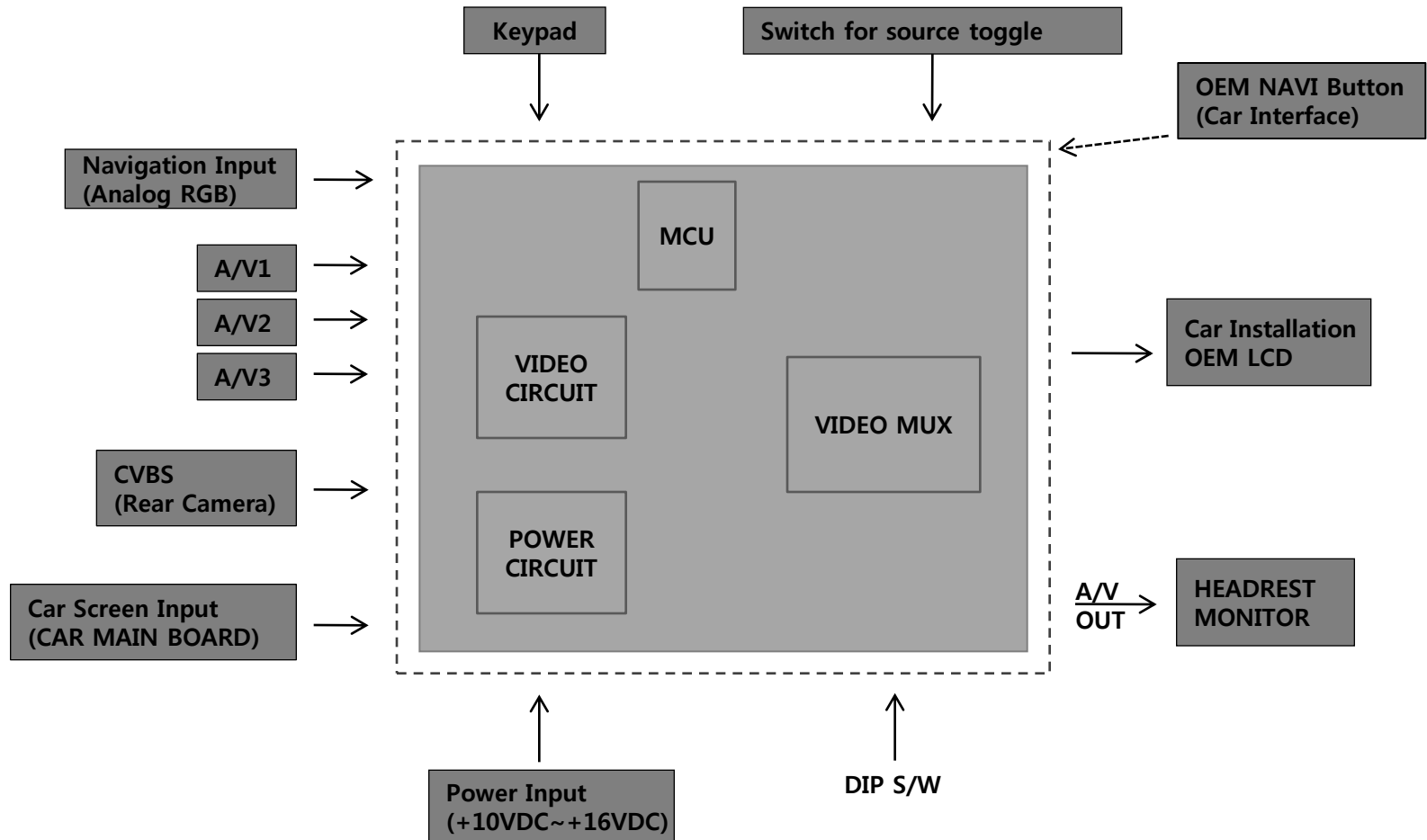
4. Switch Input mode

- Input Video MUTE Function : Possible to make each input mute by operating Dip S/W.
- Possible to switch Input mode with Keypad(or Remote control)
- Possible to switch Input mode with switch for source toggle

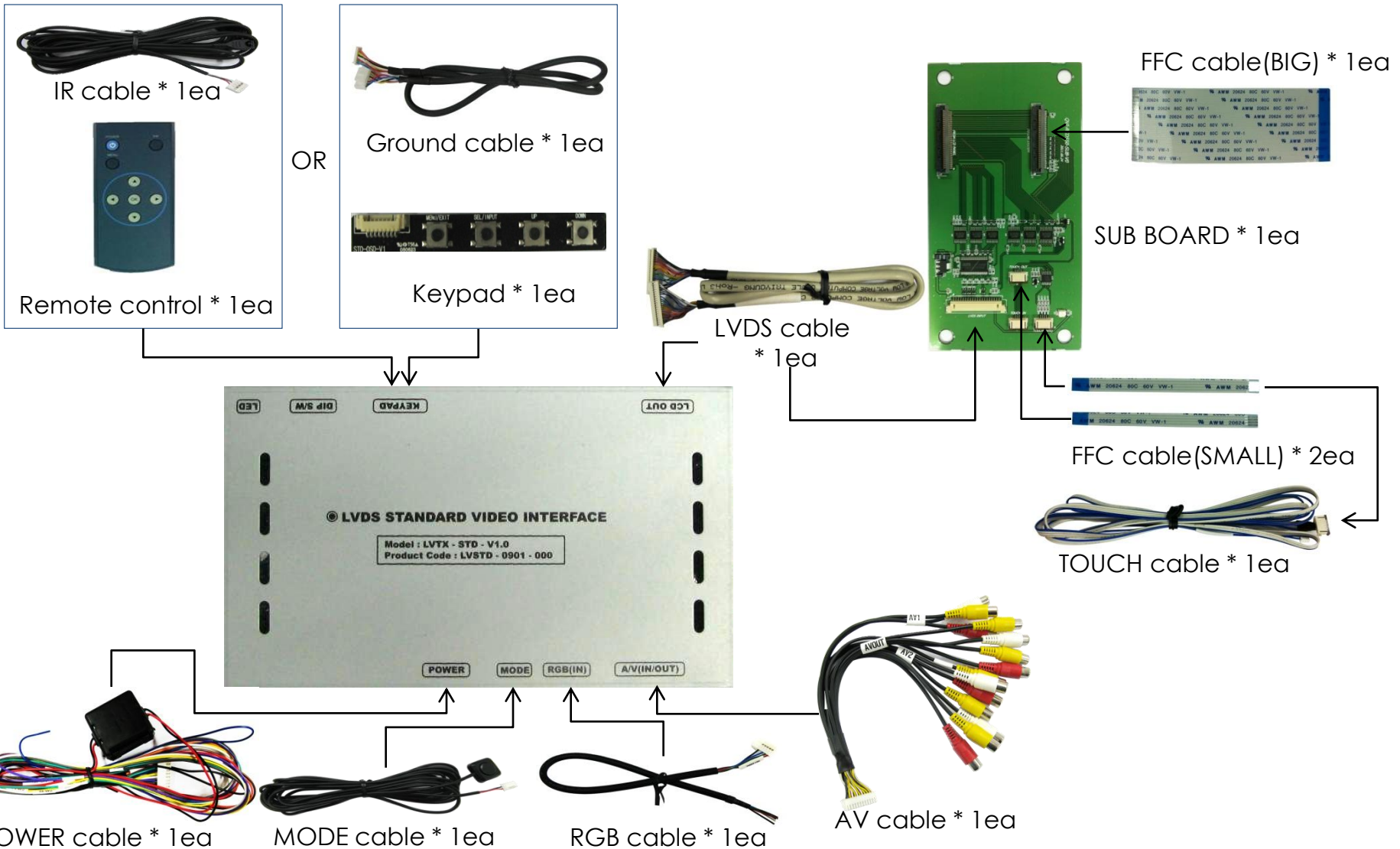
1.2 Features

- Improved High-definition
- Auto detection for NTSC, PAL signals
- AV source switching by original button
- Remote controller enclosed
- Possible to control displayed external NAVI, AV image

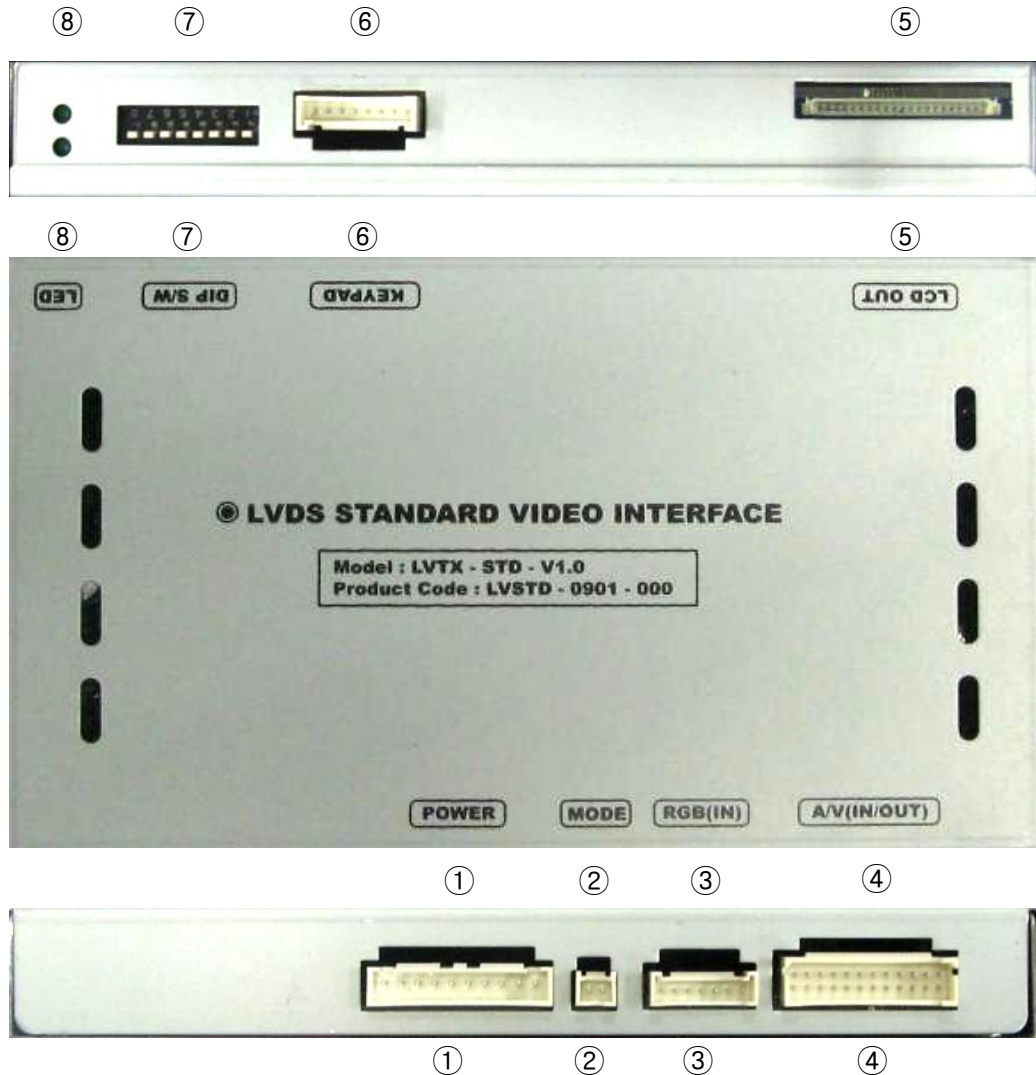
1.3 System diagram



1.4 Components



1.5 Exterior



Dimension

Horizontal length 155mm
Vertical length 93mm
Height 20mm

- ① POWER
- ② MODE
- ③ RGB(IN)
- ④ AV(IN/OUT)
- ⑤ LCD OUT
- ⑥ KEYPAD
- ⑦ DIP S/W
- ⑧ LED

2.1 DIP switch

#PIN	Function	DIP S/W selection
1	RGB INPUT skip	ON : Skipping RGB Mode OFF : RGB Display
2	A/V 1 skip	ON : Skipping A/V 1 OFF : A/V1 Display
3	A/V 2 skip	ON : Skipping A/V 2 OFF : A/V2 Display
4	A/V 3 skip	ON : Skipping A/V 3 OFF : A/V3 Display
5		N.C
6		N.C
7	Rear Mode	ON : CVBS4 OFF : OEM Rear Camera
8	OEM NAVI skip	ON : Changing mode : Main-Main-NAVI-AV1~3 (This is for original Navi) OFF : Changing mode : Main-NAVI-AV1~3

- ※ ON : DOWN, OFF : UP
- ※ DIP S/W usage example

[AUDI09 6.5 inch]

- . Use Input Mode : A/V2, A/V3
- . Use original Navigation

- ▷ DIP S/W : 1,2 -> ON (INPUT MODE SKIP)
- ▷ DIP S/W : 3 -> OFF (enable A/V3)
- ▷ DIP S/W : 4 -> OFF (enable A/V3)
- ▷ DIP S/W : 5,6,7 -> OFF
- ▷ DIP S/W : 8 -> ON



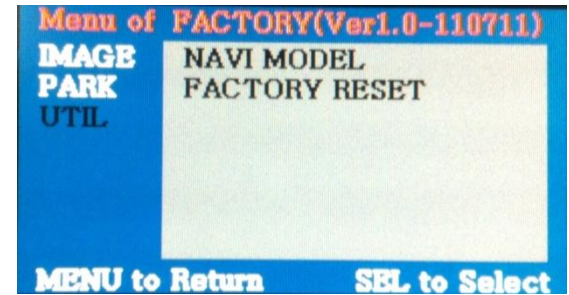
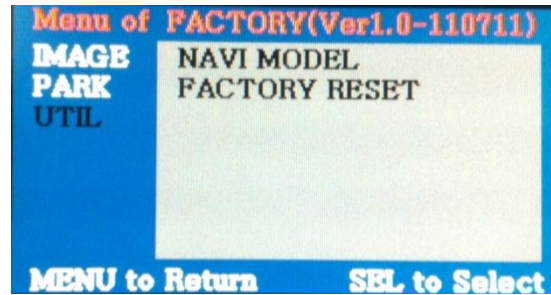
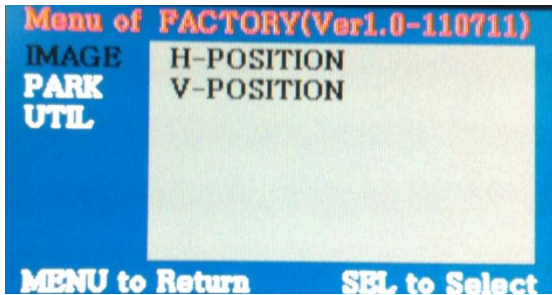
2.2 Remote controller

Key	Function
POWER & PIP	Unavailable
MENU	Activating OSD menu
OK	Making a selection, changing image display
▲	Moving upward
▼	Moving downward
◀	Moving leftward (If you press this button 2 seconds long, you can get access to the factory mode.)
▶	Moving rightward (If you press this button 2 seconds long, you can reset all the data about user environment.)



2.3 Setup for Navigation

FACTORY mode – Press ◀ button 2 seconds long on the remote controller.



IMAGE

Adjusting the position of navigation

- * H-POSITION
: moving in horizontal direction
- * V-POSITION
: moving in vertical direction

UTIL – NAVI MODEL

Definition of the navigation

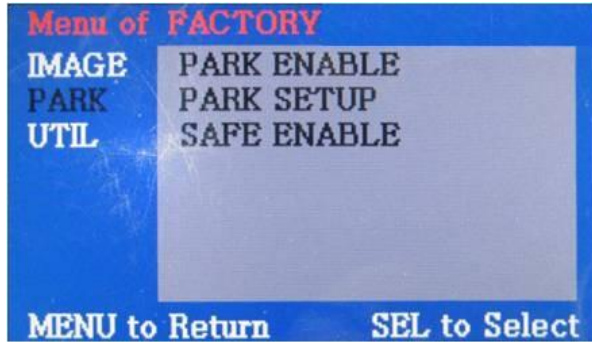
- DEFAULT : Default
- KD-900(WVGA) : 800x480 in high definition, for Chinese
- MD7000(WVGA) : 800x480 in high definition, for domestic use
- MYVI(WVGA) : 800x480 in high definition , for domestic use

UTIL – Factory Reset

: Initializing of all values of OSD setting.
(Impossible to reset of screen position, only possible for functions in OSD)

2.4 Parking guide line setting

FACTORY mode – Press ◀ button 2 seconds long on the remote controller.



PARK

* PARK ENABLE : Selecting whether to display the parking guide line or not on rear gear (default : OFF)

* PARK SETUP : Adjusting the position of the parking guide line (available in PARK SETUP -> V-POSITION, H-POSITION)

* SAFE ENABLE : In case of Connecting "Safe" wire from the power cable to the hand break,
ENABLE – OEM Picture displays in Drive gear position
DISABLE – No display locked in any gear position

PARK - ENABLE

A. If you set 'PARK ENABLE' as "ON" state, there will be the rear view parking guide line. (as shown left picture)

B. Press the OK button of remote controller, "H_POS" will be shown on the right and control moving in horizontal direction.

PARK - ENABLE

A. Press the OK button of remote controller one more, "V_POS" will be shown on the right and control moving in vertical direction.

2.5.1 OSD (on screen display)

Analog RGB Mode

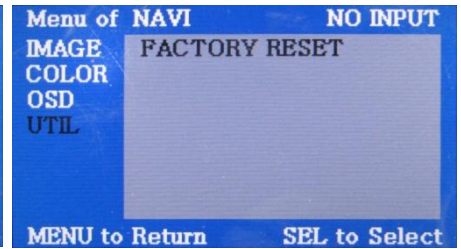
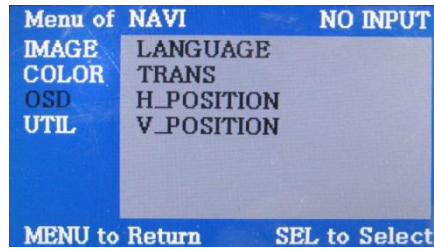
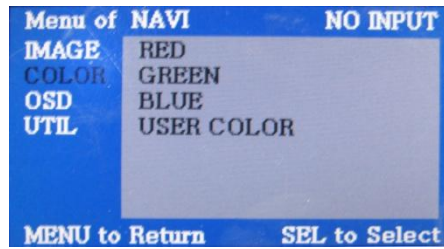
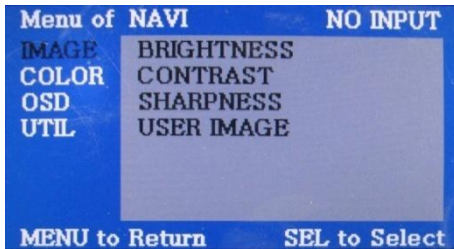
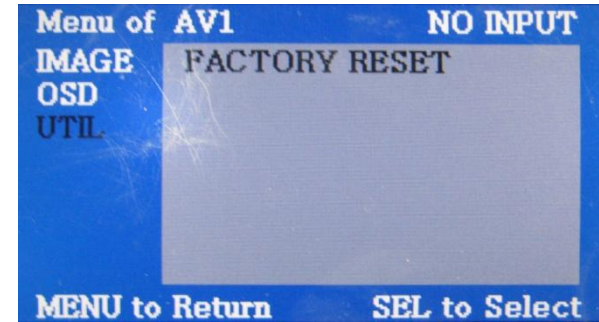
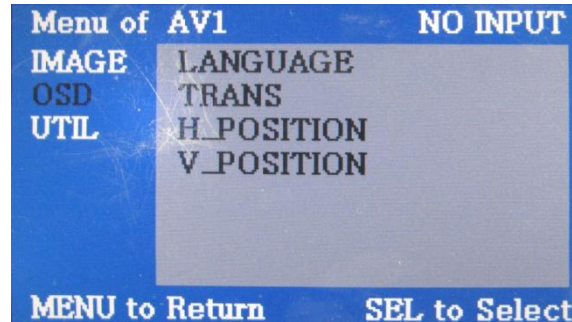
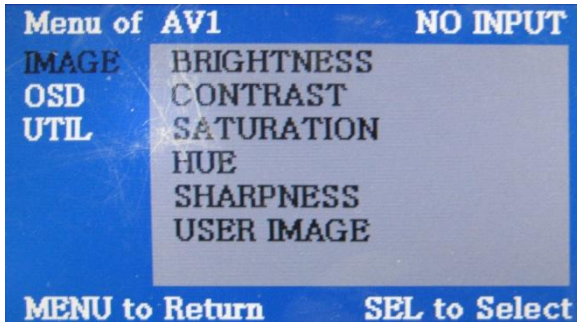


IMAGE	COLOR	OSD	UTIL
* BRIGHTNESS	* RED : Adjusting red	* LANGUAGE : Choosing interface language while changing mode between A/V and DVD	* FACTORY RESET : Resetting all the data about the relevant mode that applicable to navigation, DVD mode respectively. (Impossible to reset of screen position, only available for color, OSD setting)
* CONTRAST	* GREEN : Adjusting green	* TRANS : Adjusting transparency of OSD	
* SHARPNESS	* BLUE : Adjusting blue	* H_POSITION, V_POSITION : Positioning OSD menu	
* USER IMAGE : Selecting one among 4 color options.	* USER COLOR : Selecting a color option among set color options		

2.5.2 OSD (on screen display)

Video mode



IMAGE

- * BRIGHTNESS
- * CONTRAST
- * SATURATION
- * HUE
- * SHARPNESS
- * USER IMAGE
: Selecting one among 4 color options.

OSD

- * LANGUAGE : Choosing interface language while changing mode between A/V and DVD
- * TRANS : Adjusting transparency of OSD
- * H-POSITION
: moving in horizontal direction
- * V-POSITION
: moving in vertical direction

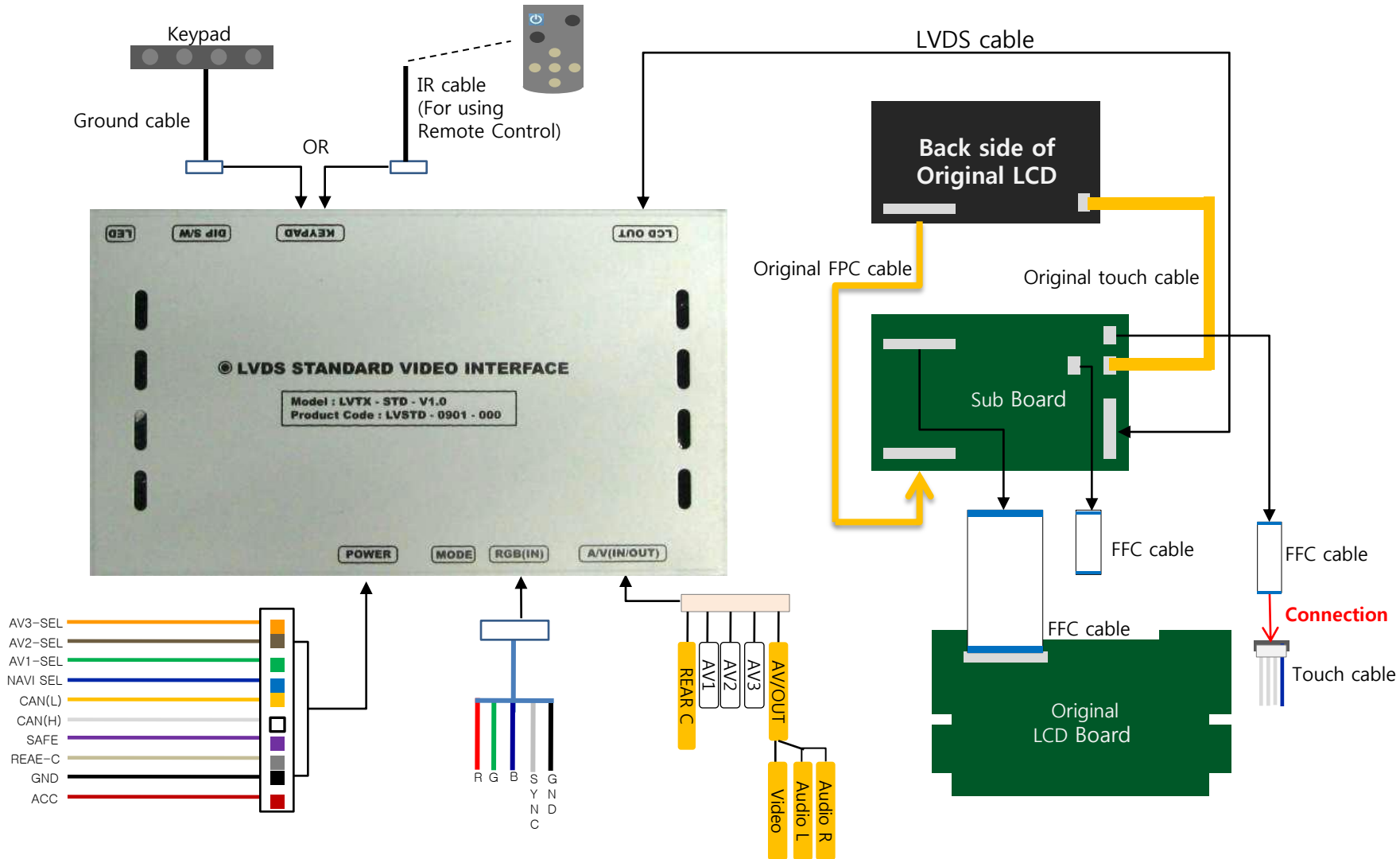
UTIL

- * FACTORY RESET : Resetting all the data about the relevant mode that applicable to navigation, DVD mode respectively.
(Impossible to reset of screen position, only available for color, OSD setting)

3.1 Cautions on installation

- Ignition key should be taken off before starting installation, interface power connection must be the last step in installation.
- Power cable should be separated when connecting interface.
- Should be no any electronic devices or magnetic pole around installation place.
- All steps of installation should be done by well-trained specialist.
- Dismantling without manufacturer's permission can not be guaranteed, (No permission to break attached label on the board.)
- Kindly check all parts are in the box, when receiving the product, if anything missing, inform to the supplier or manufacturer.
- According to our sales policy, any problems caused by user's mistake, careless can not be guaranteed.

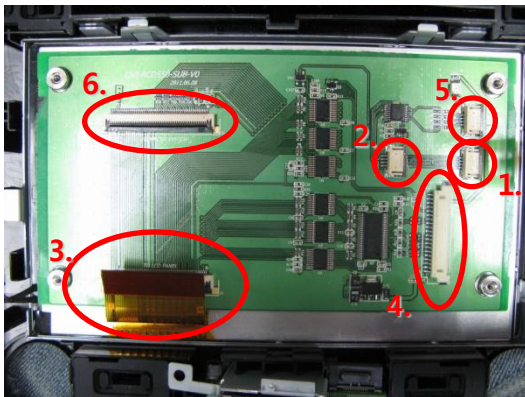
3.2 Installation diagram



3.3 Installation



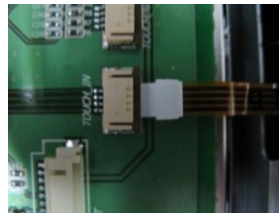
① Connect the back of LCD to the Sub-board as shown left.



1. Original Touch cable

2. FFC cable

3. Original FPC cable



4. LVDS cable



5. FFC cable (small)

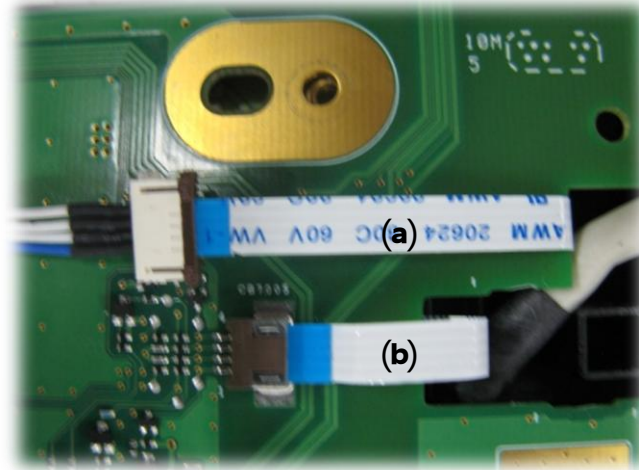
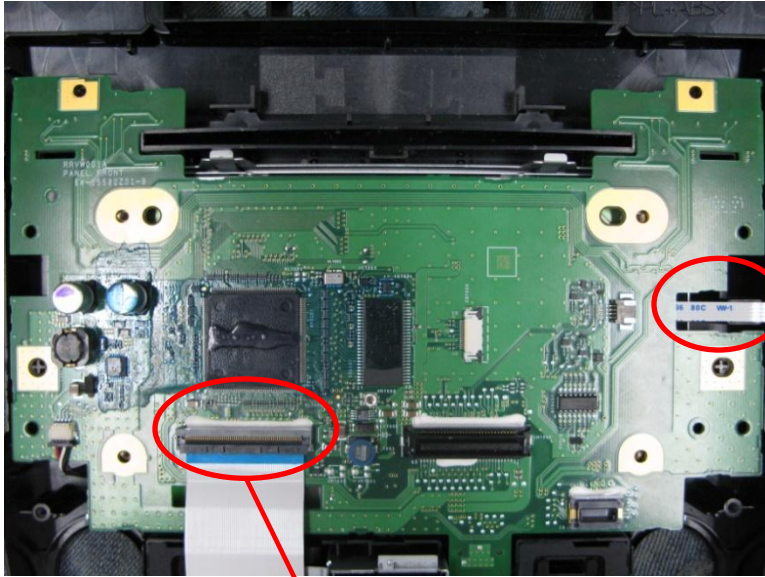


6. FFC cable (big)

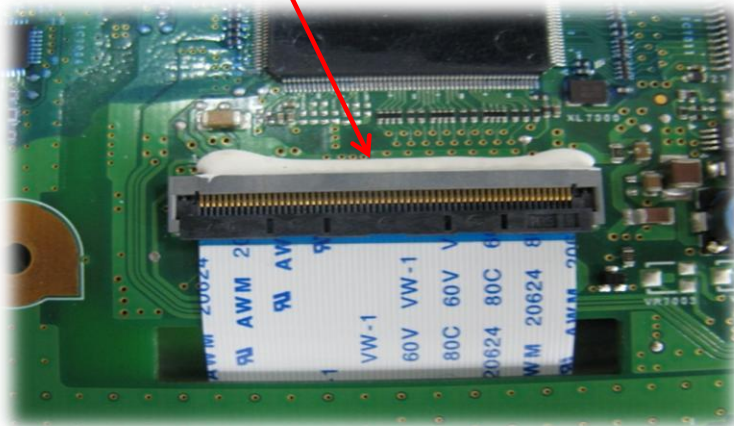


② Connect each cables to the marked areas (1~6).

3.3 Installation



- (a) : FFC cable comes from SUB-BORAD 5.
- (b) : FFC cable comes from SUB-BORAD 3.



FFC cable comes from SUB-BOARD 6.

③ Assemble Original LCD board on the Sub-board as shown left.

4. Troubleshooting

Q. I can not switch A/V sources.

A. Check IR or Ground cable connection. Check LED lamps in the interface, if it is not on, check power cable.

Q. All I got on the screen is black.

A. Check second LED lamp of the interface is on, if not, check A/V sources connected are working well.
(Second lamp indicates AV sources connected works well.) Check interface connection has been done well.

Q. Displayed image color is not proper. (too dim or not suitable color)

A. Try to select "INITIAL" in OSD menu, if it does not work, inform the manufacturer.)

Q. Rear camera image does NOT appear.

A. Set DIP switch #7 in "ON"

Q. Unwanted A/V mode is displayed. (A/V source switching order : OEM->RGB->AV1->AV2->AV3)

A. Check DIP Switch Setting.

Q. OEM image is not displayed.

A. Check interface's LCD In/Out cable connection. If the status keeps on, inform the manufacturer.

Q. Screen only displays white like left picture.

A. Check LCD out cable is connected well, if this status keeps, inform the manufacturer.